



AVK REPICO® - HINGE TYPE REPAIR COUPLING (RH)

747/81-113

For all pipes, stainless steel 316, SILICONE



AVK's Repico® product program consists of stainless steel pipe couplings and repair couplings for pipe diameters from DN 15 up to DN 2000. The Repico® range offers a quick and simple connection solution for all pipes with possibility of angular deflection and easy handling due to the compact and light weight design.



Product description:

Repico® RH - Hinge type repair coupling to repair all pipes. For water and neutral liquids -70° C up to +200° C

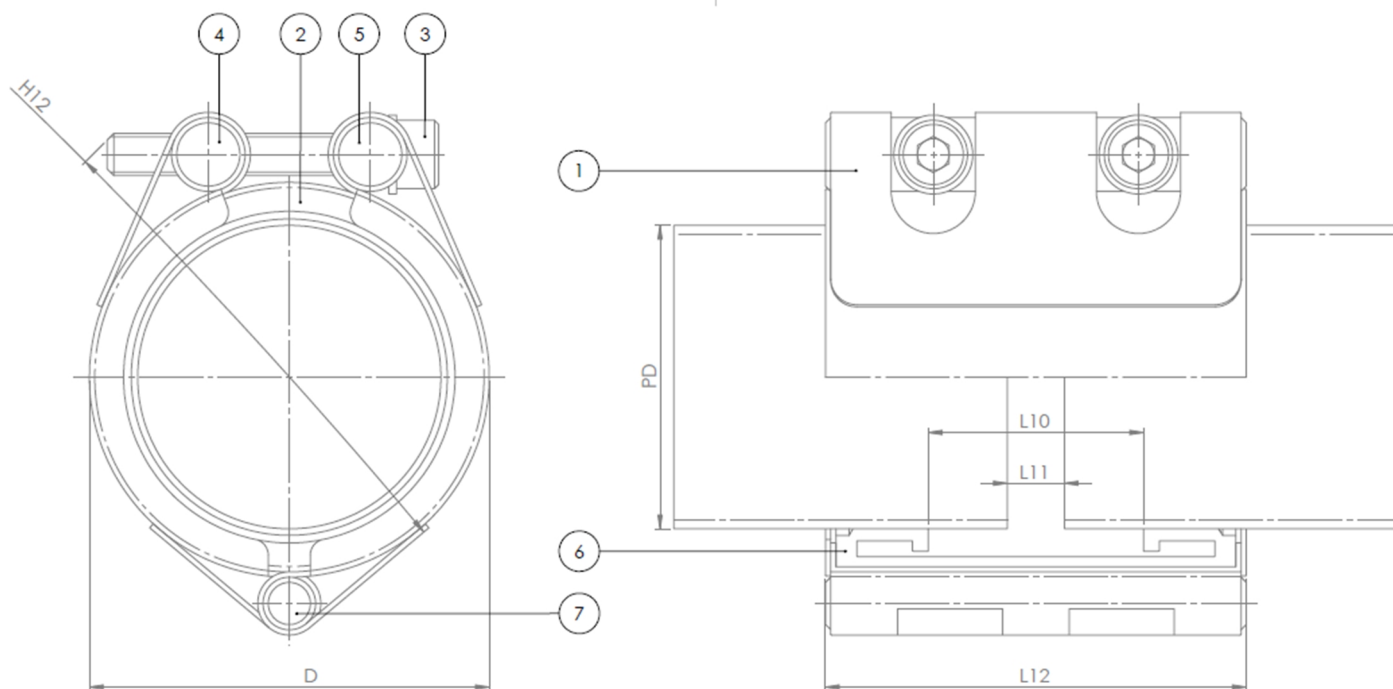


Features:

- Hinge type repair coupling provides a repair solution for all pipes that needs to be repaired permanently or temporarily. Available in DN 15-600
- Progressive sealing
- Available in different lengths from 60 up to 150 mm (2.4" to 5.9")
- Easy installation by use of a torque wrench, limited space required for installation due to compact design
- Pressure range up to 42,7 bar (620 OSU) depending on size
- Made of stainless steel 316
- Green PTFE coated bolts
- Light weight



Expect ... **AVK**



Component list:

1. Body	Stainless steel 316	5. Washer	Stainless steel 316
2. Side plate	Stainless steel 316	6. Sealing	Silicone Rubber
3. Bolt	Stainless steel 316 / PTFE coated	7. Rod	Stainless steel 316
4. Nut	Stainless steel 316		

Components may be substituted with equivalent or higher class materials without prior notification.

Reference nos. and dimensions:

AVK ref. no.	Tolerance mm	Pipe diam. mm	Working Pressure / bar	D mm	H12 mm	L10 mm	L11 mm	L12 mm	Bolts (no x M x L)	Torque Nm	Theoretical weight / kg
747-81-0020-113	19,5 - 20,5	20,0	42	29	50	28	8	60	2XM6X50	7	0.3
747-81-0021-113	21,0 - 22,0	21,3	42	31	52	28	8	60	2XM6X50	7	0.3
747-81-0025-113	24,0 - 26,0	25,0	42	38	59	28	8	60	2XM8X50	7	0.4
747-81-0027-113	26,0 - 28,0	26,7	42	40	61	28	8	60	2XM8X50	7	0.4
747-81-0028-113	26,4 - 29,0	28,2	42	42	62	28	8	60	2XM8X50	7	0.4
747-81-0030-113	29,0 - 31,0	30,0	42	43	64	28	8	60	2XM8X50	7	0.4
747-81-0032-113	31,0 - 33,0	32,0	42	45	66	28	8	60	2XM8X50	7	0.4
747-81-0034-113	33,0 - 35,0	33,4	42	47	68	28	8	60	2XM8X50	7	0.4
747-81-0038-113	37,0 - 39,0	38,0	42	51	75	28	8	60	2XM8X55	7	0.4
747-81-0040-113	39,5 - 41,3	40,0	42	53	77	28	8	60	2XM8X55	7	0.4
747-81-0042-113	42,0 - 44,0	42,2	42	56	79	28	8	60	2XM8X55	7	0.4
747-81-0044-113	44,0 - 46,0	44,5	42	58	86	28	8	60	2XM8X65	7	0.4
747-81-0048-113	47,5 - 49,5	48,3	42	62	90	28	8	60	2XM8X65	7	0.5
747-81-0050-113	49,2 - 51,5	50,8	42	64	93	28	8	60	2XM8X65	7	0.5
747-81-0054-113	53,0 - 55,0	54,0	42	70	97	44	8	80	2XM8X65	12	0.7
747-81-0057-113	56,0 - 58,0	57,0	42	73	100	44	8	80	2XM8X65	12	0.7
747-81-0060-113	59,0 - 61,5	60,3	42	76	103	44	8	80	2XM8X65	12	0.7
747-81-0063-113	62,0 - 64,0	63,0	42	79	106	44	8	80	2XM8X65	12	0.7
747-81-0066-113	65,4 - 68,3	66,7	37	83	110	44	8	80	2XM8X65	12	0.8
747-81-0069-113	68,5 - 71,0	69,0	37	85	112	44	8	80	2XM8X65	12	0.8
747-81-0073-113	72,5 - 75,5	73,0	37	89	116	44	8	80	2XM8X65	12	0.8
747-81-0076-113	75,0 - 78,0	76,1	37	92	119	44	8	80	2XM8X65	12	0.8
747-81-0079-113	78,8 - 82,0	79,9	37	100	135	59	15	110	2XM12X85	30	1.6

The designs, materials and specifications shown are subject to change without notice due to the continuous development of our product range.

AVK REPICO® - HINGE TYPE REPAIR COUPLING (RH)**747/81-113****For all pipes, stainless steel 316, SILICONE****Reference nos. and dimensions:**

AVK ref. no.	Tolerance mm	Pipe diam. mm	Working Pressure / bar	D mm	H12 mm	L10 mm	L11 mm	L12 mm	Bolts (no x M x L)	Torque Nm	Theoretical weight / kg
747-81-0084-113	82,5 - 85,5	84,0	37	104	140	59	15	110	2XM12X85	30	1.6
747-81-0089-113	88,0 - 91,0	88,9	37	109	144	59	15	110	2XM12X85	30	1.6
747-81-0101-113	100,0 - 103,0	101,6	37	122	157	59	15	110	2XM12X85	30	1.7
747-81-0104-113	102,0 - 105,0	104,0	37	124	160	59	15	110	2XM12X85	40	1.7
747-81-0106-113	105,0 - 107,0	106,3	37	126	162	59	15	110	2XM12X85	40	1.7
747-81-0108-113	106,0 - 109,0	108,0	37	128	164	59	15	110	2XM12X85	40	1.7
747-81-0114-113	113,0 - 116,0	114,3	37	134	170	59	15	110	2XM12X85	40	1.7
747-81-0127-113	125,0 - 129,0	127,0	37	149	183	59	15	111	2XM12X85	40	2.1
747-81-0129-113	127,5 - 130,0	129,0	37	151	185	59	15	111	2XM12X85	40	2.2
747-81-0133-113	131,0 - 135,0	131,7	37	153	188	59	15	111	2XM12X85	40	2.2
747-81-0139-113	138,0 - 142,0	139,7	37	161	196	59	15	111	2XM12X85	40	2.2
747-81-0141-113	139,5 - 143,0	141,3	37	163	197	59	15	111	2XM12X85	40	2.3
747-81-0154-113	151,5 - 155,0	154,0	32	176	210	59	15	111	2XM12X85	40	2.3
747-81-0159-113	156,0 - 160,0	157,7	32	179	214	59	15	111	2XM12X85	40	2.4
747-81-0165-113	164,0 - 167,0	165,2	32	187	221	59	15	111	2XM12X85	40	2.4
747-81-0168-113	166,0 - 170,0	168,3	32	190	224	59	15	111	2XM12X85	40	2.4
747-81-0180-113	178,0 - 182,0	180,0	26	202	236	59	15	111	2XM12X85	45	2.5
747-81-0200-113	198,0 - 203,0	200,0	21	226	270	89	15	150	2XM14X110	60	5.0
747-81-0204-113	202,0 - 206,0	204,0	21	230	274	89	15	150	2XM14X110	60	5.1
747-81-0216-113	214,0 - 218,0	216,3	21	242	286	89	15	150	2XM14X110	60	5.2
747-81-0219-113	216,5 - 221,0	219,1	21	245	289	89	15	150	2XM14X110	60	5.2
747-81-0254-113	251,0 - 257,0	254,0	21	280	324	89	15	150	2XM14X110	60	5.6
747-81-0267-113	262,0 - 269,0	267,4	21	293	337	89	15	150	2XM14X110	60	5.8
747-81-0273-113	270,0 - 276,0	273,0	21	299	343	89	15	150	2XM14X110	60	5.8
747-81-0304-113	301,5 - 308,0	304,0	18	330	374	89	15	150	2XM14X110	60	6.2
747-81-0318-113	316,0 - 322,0	318,5	18	345	388	89	15	150	2XM14X110	60	6.4
747-81-0323-113	322,0 - 328,0	323,9	18	350	393	89	15	150	2XM14X110	60	6.4
747-81-0355-113	352,0 - 360,0	355,6	18	382	430	89	15	150	2XM14X120	75	6.8
747-81-0406-113	402,0 - 410,0	406,4	16	432	481	89	15	150	2XM14X120	75	7.4
747-81-0457-113	453,0 - 460,0	457,2	16	483	532	89	15	150	2XM14X120	90	8.0
747-81-0508-113	504,0 - 512,0	508,0	13	534	583	89	15	150	2XM14X120	90	8.5
747-81-0558-113	555,0 - 563,0	558,8	12	585	633	89	15	150	2XM14X120	90	9.1
747-81-0609-113	605,0 - 614,0	609,6	11	636	684	89	15	150	2XM14X120	90	9.7