



AVK REPICO® - REPAIR COUPLING FOR ELBOWS (RE)

747/71-114

For all pipes, stainless steel 316, FKM



AVK's Repico® product program consists of stainless steel pipe couplings and repair couplings for pipe diameters from DN 15 up to DN 2000. The Repico® range offers a quick and simple connection solution for all pipes with possibility of angular deflection and easy handling due to the compact and light weight design.



Product description:

Repico® RE - Repair coupling for elbows to repair elbows, bends or welds. For chemicals -30° C up to +250° C



Features:

- Repair coupling for elbows (only for long radius elbows, $R \geq 1.5D$), bends or weld provides a repair solution for all pipes that needs to be repaired permanently or temporarily. Available in DN 13-500
- Easy installation by use of a torque wrench, limited space required for installation due to compact design
- Pressure range up to 53 bar (769 PSI) depending on size
- Main components of stainless steel 316
- Green PTFE coated bolts
- Light weight

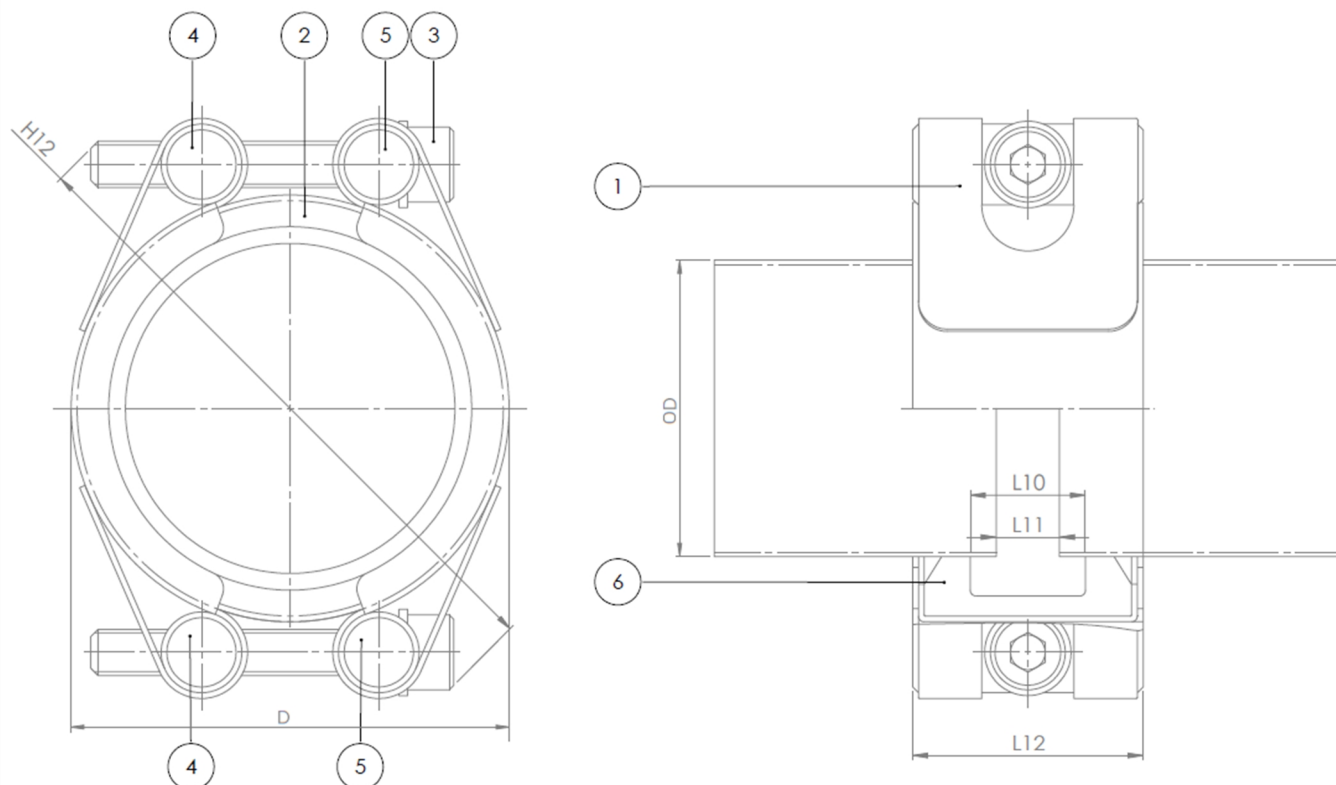


Expect ... **AVK**

AVK REPICO® - REPAIR COUPLING FOR ELBOWS (RE)

747/71-114

For all pipes, stainless steel 316, FKM



Component list:

1. Body	Stainless steel 316	4. Nut	Stainless steel 316
2. Side plate	Stainless steel 316	5. Washer	Stainless steel 316
3. Bolt	Stainless steel 316 / PTFE coated	6. Sealing	Viton

Components may be substituted with equivalent or higher class materials without prior notification.

Reference nos. and dimensions:

AVK ref. no.	Tolerance mm	Pipe diam. mm	Working Pressure / bar	D mm	H12 mm	L10 mm	L11 mm	L12 mm	Bolts (no x M x L)	Torque Nm	Theoretical weight / kg
747-71-0015-114	15,3 - 17,0	15,5	53	26	46	8	8	27	2XM6X50	7	0.2
747-71-0020-114	19,5 - 20,5	20,0	46	34	55	10	8	27	2XM6X50	7	0.2
747-71-0021-114	21,0 - 22,0	21,3	46	35	56	10	8	27	2XM6X50	7	0.2
747-71-0025-114	24,0 - 26,0	25,0	46	39	60	10	8	27	2XM6X50	7	0.2
747-71-0027-114	26,0 - 28,0	26,7	46	41	61	10	8	27	2XM6X50	7	0.2
747-71-0028-114	26,4 - 29,0	28,2	46	42	63	10	8	27	2XM6X50	7	0.2
747-71-0030-114	29,0 - 31,0	30,0	46	44	65	10	8	27	2XM6X50	7	0.2
747-71-0032-114	31,0 - 33,0	32,0	46	46	67	10	8	27	2XM6X50	7	0.2
747-71-0034-114	33,0 - 35,0	33,4	46	47	68	10	8	27	2XM6X50	7	0.2
747-71-0038-114	37,0 - 39,0	38,0	46	52	73	10	8	27	2XM6X50	7	0.2
747-71-0040-114	39,5 - 41,3	40,0	46	54	75	10	8	27	2XM6X50	7	0.2
747-71-0042-114	42,0 - 44,0	42,2	46	56	77	10	8	27	2XM6X50	7	0.2
747-71-0044-114	44,0 - 46,0	44,5	40	59	79	10	8	27	2XM6X50	7	0.2
747-71-0048-114	47,5 - 49,5	48,3	40	62	83	10	8	27	2XM6X50	7	0.2
747-71-0050-114	49,2 - 51,5	50,8	40	65	85	10	8	27	2XM6X50	7	0.2
747-71-0054-114	53,0 - 55,0	54,0	40	70	97	18	8	40	2XM8X65	15	0.5
747-71-0057-114	56,0 - 58,0	57,0	40	73	100	18	8	40	2XM8X65	15	0.5
747-71-0060-114	59,0 - 61,5	60,3	40	76	103	18	8	40	2XM8X65	15	0.5
747-71-0063-114	62,0 - 64,0	63,0	40	79	106	18	8	40	2XM8X65	15	0.5
747-71-0066-114	65,4 - 68,3	66,7	40	83	110	18	8	40	2XM8X65	15	0.5
747-71-0069-114	68,5 - 71,0	69,0	40	85	112	18	8	40	2XM8X65	15	0.5
747-71-0073-114	72,5 - 75,5	73,0	40	89	116	18	8	40	2XM8X65	15	0.5
747-71-0076-114	75,0 - 78,0	76,1	40	92	119	18	8	40	2XM8X65	15	0.6
747-71-0079-114	78,8 - 82,0	79,9	40	100	135	29	15	60	2XM12X85	28	1.2

The designs, materials and specifications shown are subject to change without notice due to the continuous development of our product range.

AVK REPICO® - REPAIR COUPLING FOR ELBOWS (RE)**747/71-114****For all pipes, stainless steel 316, FKM****Reference nos. and dimensions:**

AVK ref. no.	Tolerance mm	Pipe diam. mm	Working Pressure / bar	D mm	H12 mm	L10 mm	L11 mm	L12 mm	Bolts (no x M x L)	Torque Nm	Theoretical weight / kg
747-71-0084-114	82,5 - 85,5	84,0	40	104	140	29	15	60	2XM12X85	28	1.3
747-71-0089-114	88,0 - 91,0	88,9	40	109	144	29	15	60	2XM12X85	28	1.3
747-71-0101-114	100,0 - 103,0	101,6	33	122	157	29	15	60	2XM12X85	28	1.3
747-71-0104-114	102,0 - 105,0	104,0	33	124	160	29	15	60	2XM12X85	28	1.3
747-71-0106-114	105,0 - 107,0	106,3	33	126	162	29	15	60	2XM12X85	28	1.3
747-71-0108-114	106,0 - 109,0	108,0	33	128	164	29	15	60	2XM12X85	28	1.3
747-71-0114-114	113,0 - 116,0	114,3	33	134	170	29	15	60	2XM12X85	28	1.3
747-71-0127-114	125,0 - 129,0	127,0	24	147	183	29	15	60	2XM12X85	28	1.4
747-71-0129-114	127,5 - 130,0	129,0	24	149	185	29	15	60	2XM12X85	28	1.4
747-71-0133-114	131,0 - 135,0	131,7	24	152	187	29	15	60	2XM12X85	28	1.4
747-71-0139-114	138,0 - 142,0	139,7	24	160	195	29	15	60	2XM12X85	28	1.4
747-71-0141-114	139,5 - 143,0	141,3	24	161	197	29	15	60	2XM12X85	28	1.4
747-71-0154-114	151,5 - 155,0	154,0	24	174	210	29	15	60	2XM12X85	28	1.5
747-71-0159-114	156,0 - 160,0	157,7	24	178	213	29	15	60	2XM12X85	28	1.5
747-71-0165-114	164,0 - 167,0	165,2	24	185	221	29	15	60	2XM12X85	28	1.5
747-71-0168-114	166,0 - 170,0	168,3	24	188	224	29	15	60	2XM12X85	28	1.5
747-71-0180-114	178,0 - 182,0	180,0	21	200	236	29	15	60	2XM12X85	28	1.5
747-71-0200-114	198,0 - 203,0	200,0	21	225	257	29	15	61	2XM12X85	40	2.0
747-71-0204-114	202,0 - 206,0	204,0	21	229	261	29	15	61	2XM12X85	40	2.0
747-71-0216-114	214,0 - 218,0	216,3	21	241	273	29	15	61	2XM12X85	40	2.0
747-71-0219-114	216,5 - 221,0	219,1	21	244	276	29	15	61	2XM12X85	40	2.0
747-71-0254-114	251,0 - 257,0	254,0	21	279	311	29	15	61	2XM12X85	40	2.1
747-71-0267-114	262,0 - 269,0	267,4	21	292	324	29	15	61	2XM12X85	40	2.2
747-71-0273-114	270,0 - 276,0	273,0	21	298	330	29	15	61	2XM12X85	40	2.2
747-71-0304-114	301,5 - 308,0	304,0	17	329	361	29	15	61	2XM12X85	40	2.3
747-71-0318-114	316,0 - 322,0	318,5	17	343	375	29	15	61	2XM12X85	40	2.4
747-71-0323-114	322,0 - 328,0	323,9	17	348	380	29	15	61	2XM12X85	40	2.4
747-71-0355-114	352,0 - 360,0	355,6	16	380	412	29	15	61	2XM12X85	40	2.5
747-71-0406-114	402,0 - 410,0	406,4	14	431	463	29	15	61	2XM12X85	40	2.7
747-71-0457-114	453,0 - 460,0	457,2	13	482	514	29	15	61	2XM12X85	40	2.9
747-71-0508-114	504,0 - 512,0	508,0	12	533	565	29	15	61	2XM12X85	40	3.1

The designs, materials and specifications shown are subject to change without notice due to the continuous development of our product range.