



AVK REPICO® - REPAIR COUPLING WITH TWO LOCKS LONG VERSION (RSDL)

747/02-114

For all pipes, stainless steel 316, FKM

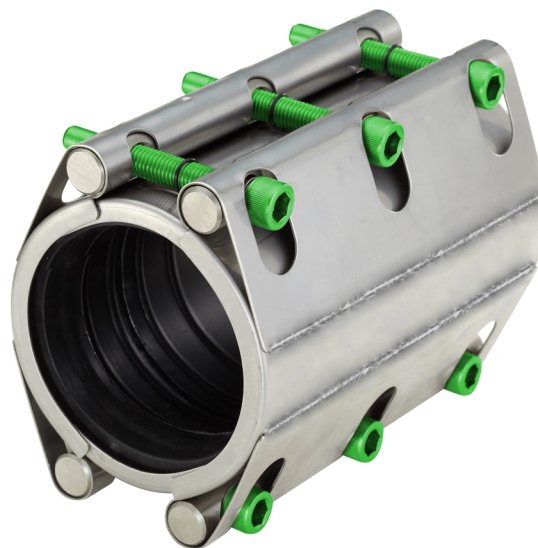
AVK's Repico® product program consists of stainless steel pipe couplings and repair couplings for pipe diameters from DN 15 up to DN 2000. The Repico® range offers a quick and simple connection solution for all pipes with possibility of angular deflection and easy handling due to the compact and light weight design.

Product description:

Repico® RSDL - Repair coupling with two locks long version to repair all pipes. For chemicals -30° C up to +250° C

Features:

- Repair coupling with two locks long version provides a repair solution for all pipes that needs to be repaired permanently or temporarily. Available in DN 15-1000
- Progressive sealing
- Available in different lengths from 100 up to 150 mm (2.4" to 5.9"). From DN 200 also available in length 300 or 400 mm (11.7" or 15.6")
- Easy installation by use of a torque wrench, limited space required for installation due to compact design
- Pressure range up to 42,7 bar (620 PSI) depending on size
- Made of stainless steel 316
- Green PTFE coated bolts
- Light weight

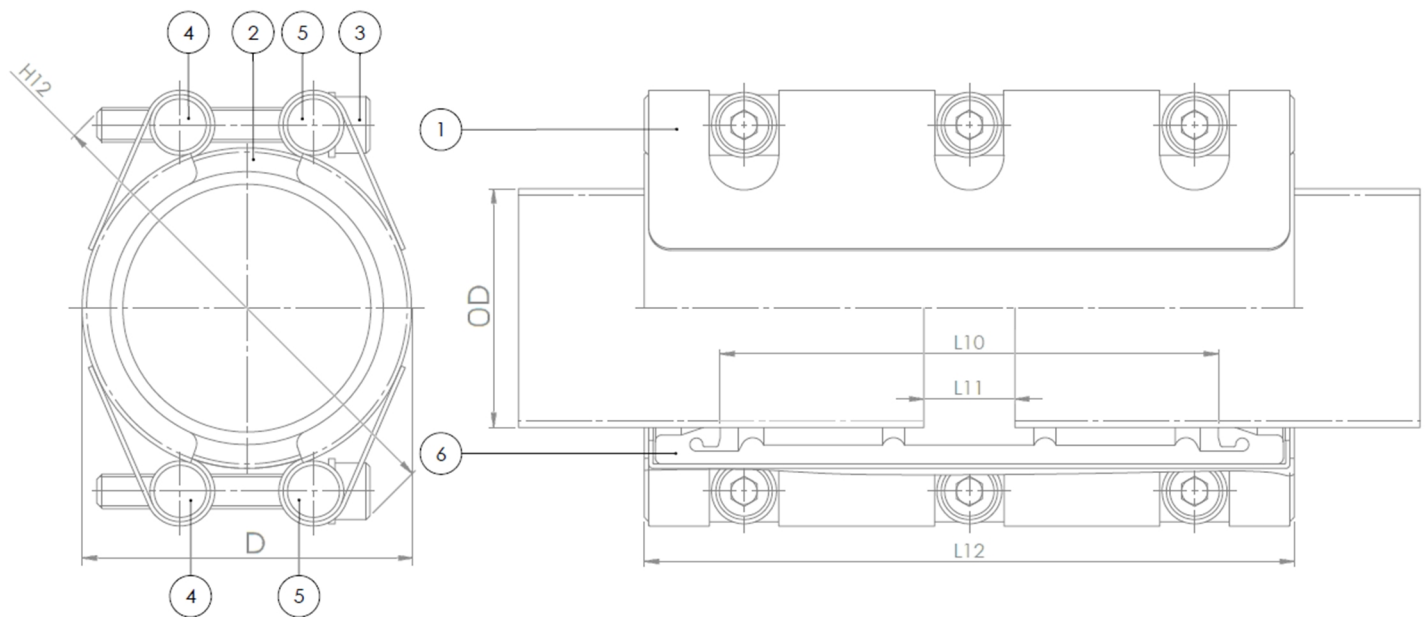


Expect ... **AVK**

AVK REPICO® - REPAIR COUPLING WITH TWO LOCKS LONG VERSION (RSDL)

747/02-114

For all pipes, stainless steel 316, FKM



Component list:

1. Bolt	Stainless steel 316	4. Nut	Stainless steel 316
2. Side plate	Stainless steel 316	5. Washer	Stainless steel 316
3. Bolt	Stainless steel 316 / PTFE coated	6. Sealing	Viton

Components may be substituted with equivalent or higher class materials without prior notification.

Reference nos. and dimensions:

