



AVK REPICO® - SLIP GRIP TYPE COUPLING (SG)

745/52-112

Tensile / axial restraint - Non-tensile, for all metal pipes, stainless steel 316, NBR

AVK's Repico® product program consists of stainless steel pipe couplings and repair couplings for pipe diameters from DN 15 up to DN 2000. The Repico® range offers a quick and simple connection solution for all pipes with possibility of angular deflection and easy handling due to the compact and light weight design.

Product description:

Repico® SG - Slip Grip type coupling (tensile / axial restraint - non-tensile) to connect all metal pipes. For water and wastewater -25° C up to +80° C

Test/Approvals:

- Rina (pending approval)
- LR (pending approval)
- DNV-GL (pending approval)
- ABS (pending approval)
- BV (pending approval)

Material approvals:

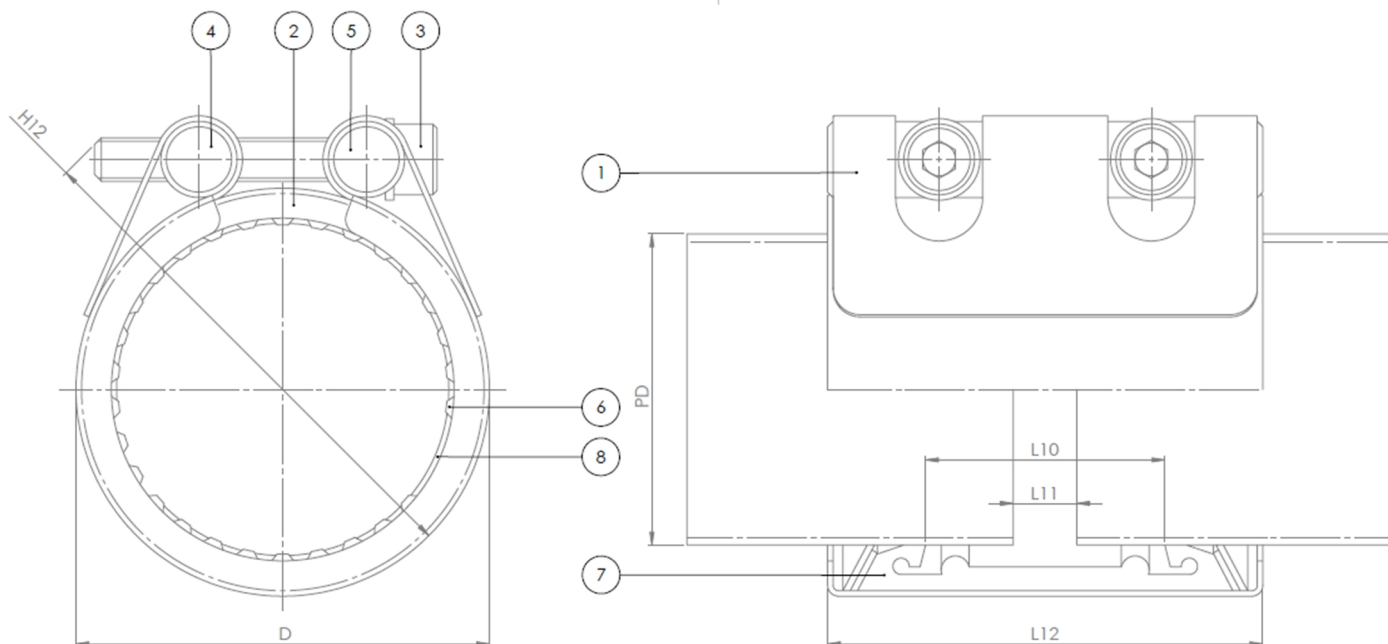
- EN 681-1
- EN 682 (DVGW)
- XP P 41-250 (ACS)
- AS/NZS 4020

Features:

- Slip Grip type coupling provides a tensile / axial restraint and a non-tensile connection for all metal pipes, allows pipe section replacement and is available in DN 15-300.
- Easy installation by use of a torque wrench, limited space required for installation due to compact design
- Pressure range up to 42,7 bar (620 PSI) depending on size
- Progressive sealing and anchoring
- Max. angular deflection 5° for DN 15-50, 4° for DN 65-175 and 2° for DN >=200
- Main components of stainless steel 316
- Green PTFE coated bolts
- Light weight, appr. 30% in comparison with flanged connections
- 60% noise reduction compared to rigid connections



Expect ... **AVR**



Component list:

1. Body	Stainless steel 316	5. Washer	Stainless steel 316
2. Side plate	Stainless steel 316	6. Grip segment	Stainless steel 301
3. Bolt	Stainless steel 316 / PTFE coated	7. Sealing	NBR rubber
4. Nut	Stainless steel 316	8. Support ring	Stainless steel 301

Components may be substituted with equivalent or higher class materials without prior notification.

Reference nos. and dimensions:

AVK ref. no.	Tolerance mm	Pipe diam. mm	Working Pressure / bar	D mm	H12 mm	L10 mm	L11 mm	L12 mm	Bolts (no x M x L)	Torque Nm	Theoretical weight / kg
745-52-0021-11207	21,2 - 22,2	21,3	42	31	49	28	8	60	2XM6X45	7	0.2
745-52-0025-11207	24,5 - 25,5	25,0	42	38	57	28	8	60	2XM8X45	8	0.3
745-52-0027-11207	26,7 - 27,7	26,7	42	40	58	28	8	60	2XM8X45	8	0.3
745-52-0028-11207	27,5 - 29,0	28,2	42	42	62	28	8	60	2XM8X50	8	0.3
745-52-0030-11207	29,5 - 30,5	30,0	42	43	64	28	8	60	2XM8X50	8	0.3
745-52-0032-11207	31,5 - 32,5	32,0	42	45	66	28	8	60	2XM8X50	8	0.4
745-52-0034-11207	33,0 - 34,6	33,4	42	47	68	28	8	60	2XM8X50	8	0.4
745-52-0038-11207	37,5 - 38,5	38,0	42	51	75	28	8	60	2XM8X55	10	0.4
745-52-0040-11207	39,5 - 41,5	40,0	42	53	77	28	8	60	2XM8X55	10	0.4
745-52-0042-11207	41,9 - 43,0	42,2	42	56	79	28	8	60	2XM8X55	10	0.4
745-52-0044-11207	44,0 - 45,0	44,5	42	58	81	28	8	60	2XM8X55	10	0.4
745-52-0048-11207	47,8 - 49,0	48,3	42	62	85	28	8	60	2XM8X55	10	0.4
745-52-0050-11207	49,5 - 51,5	50,8	42	64	88	28	8	60	2XM8X55	10	0.4
745-52-0054-11207	53,4 - 54,6	54,0	42	70	92	44	8	80	2XM8X55	15	0.6
745-52-0057-11207	56,4 - 57,6	57,0	42	73	95	44	8	80	2XM8X55	15	0.6
745-52-0060-11207	59,0 - 61,5	60,3	42	76	98	44	8	80	2XM8X55	15	0.7
745-52-0063-11207	62,4 - 63,6	63,0	42	79	101	44	8	80	2XM8X55	15	0.7
745-52-0066-11207	65,2 - 67,3	66,7	37	83	105	44	8	80	2XM8X55	15	0.7
745-52-0069-11207	68,0 - 70,1	69,0	37	85	107	44	8	80	2XM8X55	15	0.7
745-52-0073-11207	71,5 - 74,1	73,0	37	89	111	44	8	80	2XM8X55	15	0.7
745-52-0076-11207	75,0 - 77,2	76,1	37	92	114	44	8	80	2XM8X55	15	0.7
745-52-0079-11207	78,8 - 80,8	79,9	37	100	128	59	15	110	2XM12X70	20	1.3
745-52-0084-11207	83,0 - 84,9	84,0	37	104	132	59	15	110	2XM12X70	20	1.4

The designs, materials and specifications shown are subject to change without notice due to the continuous development of our product range.

AVK REPICO® - SLIP GRIP TYPE COUPLING (SG)**745/52-112****Tensile / axial restraint - Non-tensile, for all metal pipes, stainless steel 316, NBR****Reference nos. and dimensions:**

AVK ref. no.	Tolerance mm	Pipe diam. mm	Working Pressure / bar	D mm	H12 mm	L10 mm	L11 mm	L12 mm	Bolts (no x M x L)	Torque Nm	Theoretical weight / kg
745-52-0089-11207	87,8 - 91,0	88,9	37	109	137	59	15	110	2XM12X70	20	1.4
745-52-0101-11207	100,4 - 102,0	101,6	37	122	150	59	15	110	2XM12X70	20	1.5
745-52-0104-11207	103,0 - 104,0	104,0	37	124	152	59	15	110	2XM12X70	20	1.5
745-52-0106-11207	105,0 - 107,0	106,3	37	126	154	59	15	110	2XM12X70	20	1.5
745-52-0108-11207	106,5 - 108,0	108,0	37	128	156	59	15	110	2XM12X70	20	1.5
745-52-0114-11207	113,2 - 115,0	114,3	37	134	162	59	15	110	2XM12X70	20	1.6
745-52-0127-11207	125,6 - 128,0	127,0	37	149	181	59	15	111	2XM12X80	30	1.9
745-52-0129-11207	127,5 - 130,0	129,0	37	151	183	59	15	111	2XM12X80	30	2.0
745-52-0133-11207	131,6 - 134,0	131,7	37	153	185	59	15	111	2XM12X80	30	2.0
745-52-0139-11207	137,7 - 140,0	139,7	37	161	193	59	15	111	2XM12X80	30	2.0
745-52-0141-11207	139,7 - 142,0	141,3	37	163	195	59	15	111	2XM12X80	30	2.0
745-52-0154-11207	151,5 - 155,0	154,0	32	176	208	59	15	111	2XM12X80	30	2.1
745-52-0159-11207	156,5 - 160,0	157,7	32	179	211	59	15	111	2XM12X80	30	2.2
745-52-0165-11207	163,3 - 166,0	165,2	32	187	219	59	15	111	2XM12X80	30	2.2
745-52-0168-11207	166,6 - 170,0	168,3	32	190	222	59	15	111	2XM12X80	30	2.3
745-52-0180-11207	178,0 - 182,0	180,0	26	202	234	59	15	111	2XM12X80	30	2.4
745-52-0216-11207	214,5 - 218,0	216,3	21	242	281	89	15	150	2XM14X100	60	4.6
745-52-0219-11207	217,0 - 221,0	219,1	21	245	284	89	15	150	2XM14X100	60	4.7
745-52-0267-11207	264,8 - 270,0	267,4	21	293	332	89	15	150	2XM14X100	60	5.2
745-52-0273-11207	270,4 - 275,0	273,0	21	299	338	89	15	150	2XM14X100	60	5.3
745-52-0318-11207	316,0 - 322,0	318,5	18	345	383	89	15	150	2XM14X100	60	5.9
745-52-0323-11207	321,0 - 327,0	323,9	18	350	388	89	15	150	2XM14X100	60	5.9

The designs, materials and specifications shown are subject to change without notice due to the continuous development of our product range.