



AVK REPICO® - SLIP TYPE COUPLING WITH TWO LOCKS LONG VERSION (SDL)

745/29-114

Non-tensile / Flexible, for all pipes, stainless steel 316, FKM

AVK's Repico® product program consists of stainless steel pipe couplings and repair couplings for pipe diameters from DN 15 up to DN 2000. The Repico® range offers a quick and simple connection solution for all pipes with possibility of angular deflection and easy handling due to the compact and light weight design.

Product description:

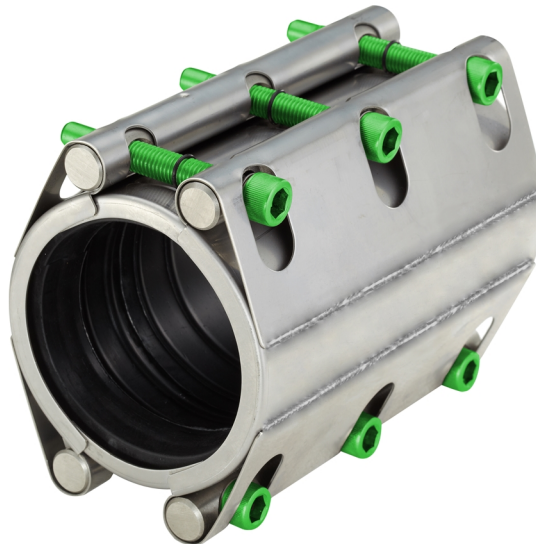
Repico® SDL - Slip type coupling with two locks long version (non-tensile / flexible) to connect all pipes. For chemicals -30° C up to +250° C

Test/Approvals:

- Rina (pending approval)
- LR (pending approval)
- DNV-GL (pending approval)
- ABS (pending approval)
- BV (pending approval)

Features:

- Slip type coupling with two locks provides a connection solution for all pipes that needs to be able to expand/contract and/or support the restraint pipe. Available in DN 650-1000
- Progressive sealing
- Easy installation by use of a torque wrench, limited space required for installation due to compact design
- Pressure range up to 10,7 bar (155 PSI) depending on size
- Max. angular deflection 2° for DN \geq 200
- Made of stainless steel 316
- Green PTFE coated bolts
- Light weight, appr. 30% in comparison with flanged connections
- 60% noise reduction compared to rigid connections

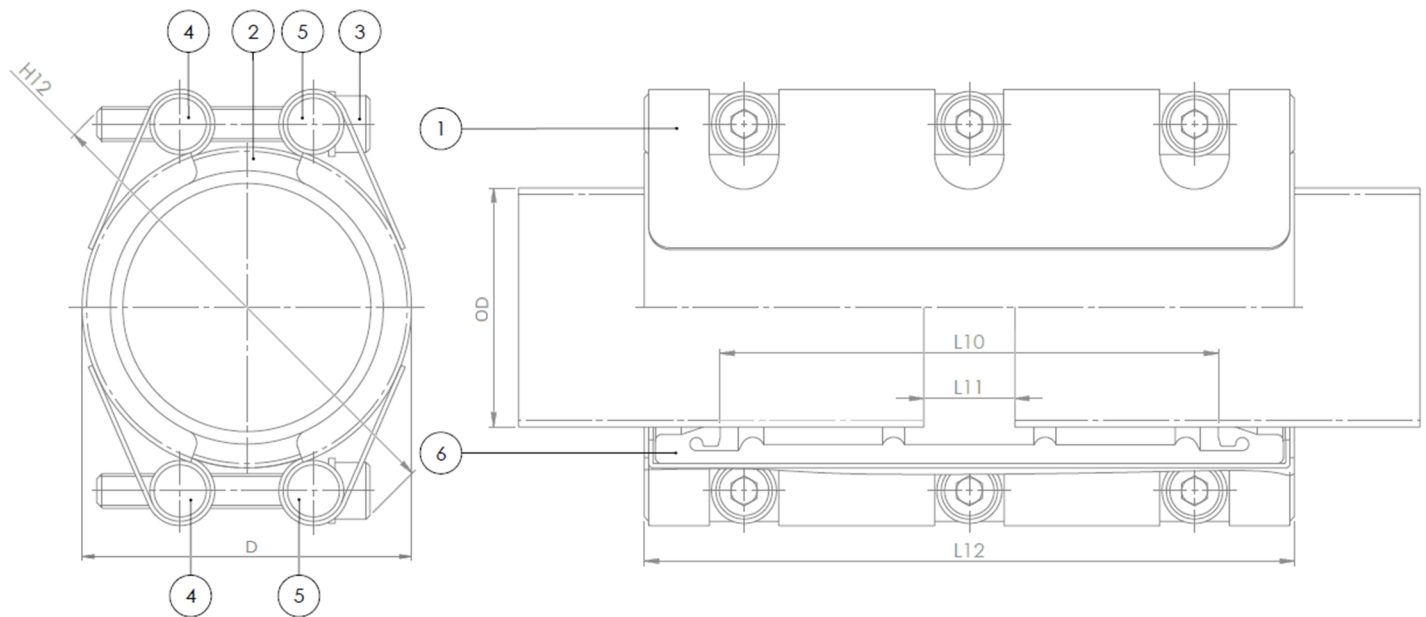


Expect ... **AVR**

AVK REPICO® - SLIP TYPE COUPLING WITH TWO LOCKS LONG VERSION (SDL)

745/29-114

Non-tensile / Flexible, for all pipes, stainless steel 316, FKM



Component list:

1. Body	Stainless steel 316	4. Nut	Stainless steel 316
2. Side plate	Stainless steel 316	5. Washer	Stainless steel 316
3. Bolt	Stainless steel 316 / PTFE coated	6. Sealing	Viton

Components may be substituted with equivalent or higher class materials without prior notification.

Reference nos. and dimensions:

