



## AVK REPICO® - SLIP TYPE COUPLING HIGH PRESSURE (SF)

745/24-112

Non-tensile / Flexible, for all pipes, stainless steel 316, NBR

AVK's Repico® product program consists of stainless steel pipe couplings and repair couplings for pipe diameters from DN 15 up to DN 2000. The Repico® range offers a quick and simple connection solution for all pipes with possibility of angular deflection and easy handling due to the compact and light weight design.

### Product description:

Repico® SF - Slip type coupling high pressure (non-tensile / flexible) to connect all pipes. For gas, water and wastewater - 25° C up to +80° C

### Test/Approvals:

- Rina (pending approval)
- LR (pending approval)
- DNV-GL (pending approval)
- ABS (pending approval)
- BV (pending approval)

### Material approvals:

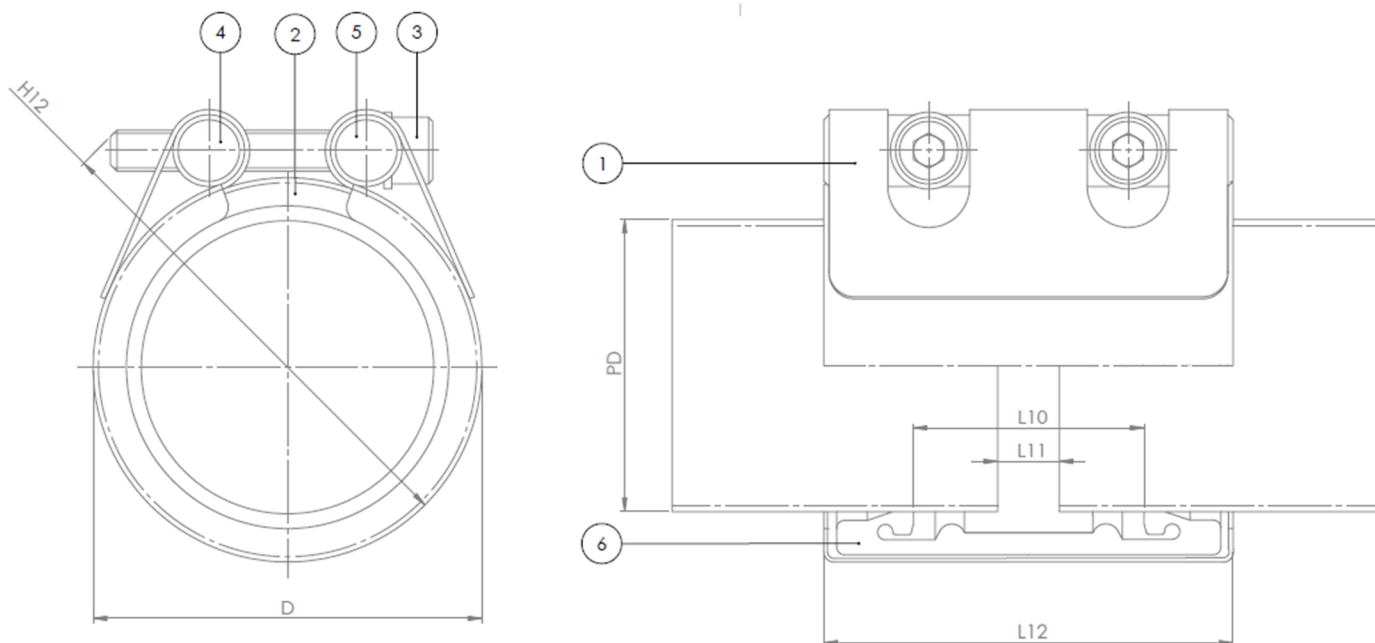
- EN 681-1
- EN 682 (DVGW)
- XP P 41-250 (ACS)
- AS/NZS 4020

### Features:

- Slip type coupling high pressure provides a connection solution for all pipes that need to be able to expand/contract and/or support the restraint pipe. Available in DN 65-600
- Progressive sealing
- Easy installation by use of a torque wrench, limited space required for installation due to compact design
- Pressure range up to 42,7 bar (620 PSI) depending on size
- Max. angular deflection 4° for DN 65-175 and 2° for DN  $\geq$  200
- Made of stainless steel 316
- Green PTFE coated bolts
- Light weight, appr. 30% in comparison with flanged connections
- 60% noise reduction compared to rigid connections



Expect ... **AVR**


**Component list:**

|               |                                   |            |                     |
|---------------|-----------------------------------|------------|---------------------|
| 1. Body       | Stainless steel 316               | 4. Nut     | Stainless steel 316 |
| 2. Side plate | Stainless steel 316               | 5. Washer  | Stainless steel 316 |
| 3. Bolt       | Stainless steel 316 / PTFE coated | 6. Sealing | NBR rubber          |

Components may be substituted with equivalent or higher class materials without prior notification.

**Reference nos. and dimensions:**

| AVK ref. no.    | DN<br>mm | Tolerance<br>mm | Pipe diam.<br>mm | Working<br>Pressure / bar | D<br>mm | H12<br>mm | L10<br>mm | L11<br>mm | L12<br>mm | Bolts<br>(no x M x L) | Theoretical<br>weight / kg |
|-----------------|----------|-----------------|------------------|---------------------------|---------|-----------|-----------|-----------|-----------|-----------------------|----------------------------|
| 745-24-0066-112 | 65       | 65,4 - 68,3     | 66,7             | 42                        | 84      | 105       | 44        | 8         | 81        | 2XM8X55               | 0.8                        |
| 745-24-0069-112 | 65       | 68,5 - 71,0     | 69,0             | 42                        | 87      | 108       | 44        | 8         | 81        | 2XM8X55               | 0.8                        |
| 745-24-0073-112 | 65       | 72,5 - 75,5     | 73,0             | 42                        | 91      | 112       | 44        | 8         | 81        | 2XM8X55               | 0.8                        |
| 745-24-0076-112 | 65       | 75,0 - 78,0     | 76,1             | 42                        | 94      | 115       | 44        | 8         | 81        | 2XM8X55               | 0.8                        |
| 745-24-0079-112 | 80       | 78,8 - 82,0     | 79,9             | 42                        | 101     | 128       | 59        | 15        | 111       | 2XM12X70              | 1.5                        |
| 745-24-0084-112 | 80       | 82,5 - 85,5     | 84,0             | 42                        | 106     | 133       | 59        | 15        | 111       | 2XM12X70              | 1.5                        |
| 745-24-0089-112 | 80       | 88,0 - 91,0     | 88,9             | 42                        | 110     | 137       | 59        | 15        | 111       | 2XM12X70              | 1.5                        |
| 745-24-0101-112 | 90       | 100,0 - 103,0   | 101,6            | 42                        | 123     | 150       | 59        | 15        | 111       | 2XM12X70              | 1.6                        |
| 745-24-0104-112 | 100      | 102,0 - 105,0   | 104,0            | 42                        | 126     | 153       | 59        | 15        | 111       | 2XM12X70              | 1.6                        |
| 745-24-0106-112 | 100      | 105,0 - 107,0   | 106,3            | 42                        | 128     | 155       | 59        | 15        | 111       | 2XM12X70              | 1.6                        |
| 745-24-0108-112 | 100      | 106,0 - 109,0   | 108,0            | 42                        | 130     | 157       | 59        | 15        | 111       | 2XM12X70              | 1.7                        |
| 745-24-0114-112 | 100      | 113,0 - 116,0   | 114,3            | 42                        | 136     | 163       | 59        | 15        | 111       | 2XM12X70              | 1.7                        |
| 745-24-0127-112 | 115      | 125,0 - 129,0   | 127,0            | 42                        | 152     | 182       | 59        | 15        | 113       | 2XM12X80              | 2.4                        |
| 745-24-0129-112 | 115      | 127,5 - 130,0   | 129,0            | 42                        | 154     | 184       | 59        | 15        | 113       | 2XM12X80              | 2.4                        |
| 745-24-0133-112 | 125      | 131,0 - 135,0   | 131,7            | 42                        | 156     | 186       | 59        | 15        | 113       | 2XM12X80              | 2.4                        |
| 745-24-0139-112 | 125      | 138,0 - 142,0   | 139,7            | 42                        | 164     | 194       | 59        | 15        | 113       | 2XM12X80              | 2.5                        |
| 745-24-0141-112 | 125      | 139,5 - 143,0   | 141,3            | 42                        | 166     | 196       | 59        | 15        | 113       | 2XM12X80              | 2.5                        |
| 745-24-0154-112 | 150      | 151,5 - 155,0   | 154,0            | 42                        | 179     | 209       | 59        | 15        | 113       | 2XM12X80              | 2.6                        |
| 745-24-0159-112 | 150      | 156,0 - 160,0   | 157,7            | 42                        | 182     | 212       | 59        | 15        | 113       | 2XM12X80              | 2.7                        |
| 745-24-0165-112 | 150      | 164,0 - 167,0   | 165,2            | 42                        | 190     | 220       | 59        | 15        | 113       | 2XM12X80              | 2.7                        |
| 745-24-0168-112 | 150      | 166,0 - 170,0   | 168,3            | 42                        | 193     | 223       | 59        | 15        | 113       | 2XM12X80              | 2.8                        |
| 745-24-0180-112 | 175      | 178,0 - 182,0   | 180,0            | 42                        | 205     | 235       | 59        | 15        | 113       | 2XM12X80              | 2.9                        |
| 745-24-0200-112 | 200      | 198,0 - 203,0   | 200,0            | 32                        | 229     | 266       | 89        | 15        | 152       | 2XM14X100             | 5.3                        |
| 745-24-0204-112 | 200      | 202,0 - 206,0   | 204,0            | 32                        | 233     | 270       | 89        | 15        | 152       | 2XM14X100             | 5.4                        |

The designs, materials and specifications shown are subject to change without notice due to the continuous development of our product range.

**AVK REPICO® - SLIP TYPE COUPLING HIGH PRESSURE (SF)****745/24-112****Non-tensile / Flexible, for all pipes, stainless steel 316, NBR****Reference nos. and dimensions:**

| AVK ref. no.    | DN<br>mm | Tolerance<br>mm | Pipe diam.<br>mm | Working<br>Pressure / bar | D<br>mm | H12<br>mm | L10<br>mm | L11<br>mm | L12<br>mm | Bolts<br>(no x M x L) | Theoretical<br>weight / kg |
|-----------------|----------|-----------------|------------------|---------------------------|---------|-----------|-----------|-----------|-----------|-----------------------|----------------------------|
| 745-24-0216-112 | 200      | 214,0 - 218,0   | 216,3            | 32                        | 245     | 282       | 89        | 15        | 152       | 2XM14X100             | 5.5                        |
| 745-24-0219-112 | 200      | 216,5 - 221,0   | 219,1            | 32                        | 248     | 285       | 89        | 15        | 152       | 2XM14X100             | 5.6                        |
| 745-24-0254-112 | 225      | 251,0 - 257,0   | 254,0            | 32                        | 283     | 320       | 89        | 15        | 152       | 2XM14X100             | 6.1                        |
| 745-24-0267-112 | 250      | 262,0 - 269,0   | 267,4            | 26                        | 296     | 333       | 89        | 15        | 152       | 2XM14X100             | 6.3                        |
| 745-24-0273-112 | 250      | 270,0 - 276,0   | 273,0            | 26                        | 302     | 339       | 89        | 15        | 152       | 2XM14X100             | 6.4                        |
| 745-24-0304-112 | 275      | 301,5 - 308,0   | 304,0            | 26                        | 333     | 370       | 89        | 15        | 152       | 2XM14X100             | 6.9                        |
| 745-24-0318-112 | 300      | 316,0 - 322,0   | 318,5            | 26                        | 348     | 384       | 89        | 15        | 152       | 2XM14X100             | 7.1                        |
| 745-24-0323-112 | 300      | 322,0 - 328,0   | 323,9            | 26                        | 353     | 389       | 89        | 15        | 152       | 2XM14X100             | 7.2                        |
| 745-24-0355-112 | 350      | 352,0 - 360,0   | 355,6            | 26                        | 385     | 421       | 89        | 15        | 152       | 2XM14X100             | 7.6                        |
| 745-24-0406-112 | 400      | 402,0 - 410,0   | 406,4            | 26                        | 435     | 472       | 89        | 15        | 152       | 2XM14X100             | 8.4                        |
| 745-24-0457-112 | 450      | 453,0 - 460,0   | 457,2            | 25                        | 486     | 523       | 89        | 15        | 152       | 2XM14X100             | 9.2                        |
| 745-24-0508-112 | 500      | 504,0 - 512,0   | 508,0            | 18                        | 537     | 574       | 89        | 15        | 152       | 2XM14X100             | 9.9                        |
| 745-24-0558-112 | 550      | 555,0 - 563,0   | 558,8            | 18                        | 588     | 624       | 89        | 15        | 152       | 2XM14X100             | 11                         |
| 745-24-0609-112 | 600      | 605,0 - 614,0   | 609,6            | 16                        | 639     | 675       | 89        | 15        | 152       | 2XM14X100             | 11                         |

The designs, materials and specifications shown are subject to change without notice due to the continuous development of our product range.