



AVK REPICO® - SLIP TYPE COUPLING LONG VERSION (SL)

745/21-112

Non-tensile / Flexible, for all pipes, stainless steel 316, NBR

AVK's Repico® product program consists of stainless steel pipe couplings and repair couplings for pipe diameters from DN 15 up to DN 2000. The Repico® range offers a quick and simple connection solution for all pipes with possibility of angular deflection and easy handling due to the compact and light weight design.

Product description:

Repico® SL - Slip type coupling long version (non-tensile / flexible) to connect all pipes. For water and wastewater -25° C up to +80° C

Test/Approvals:

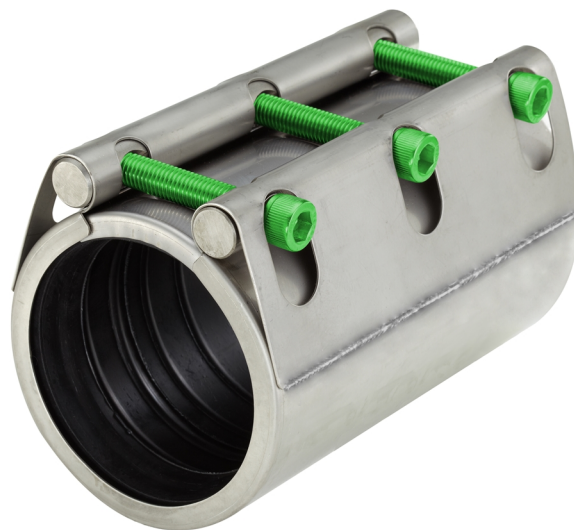
- Rina (pending approval)
- LR (pending approval)
- DNV-GL (pending approval)
- ABS (pending approval)
- BV (pending approval)

Material approvals:

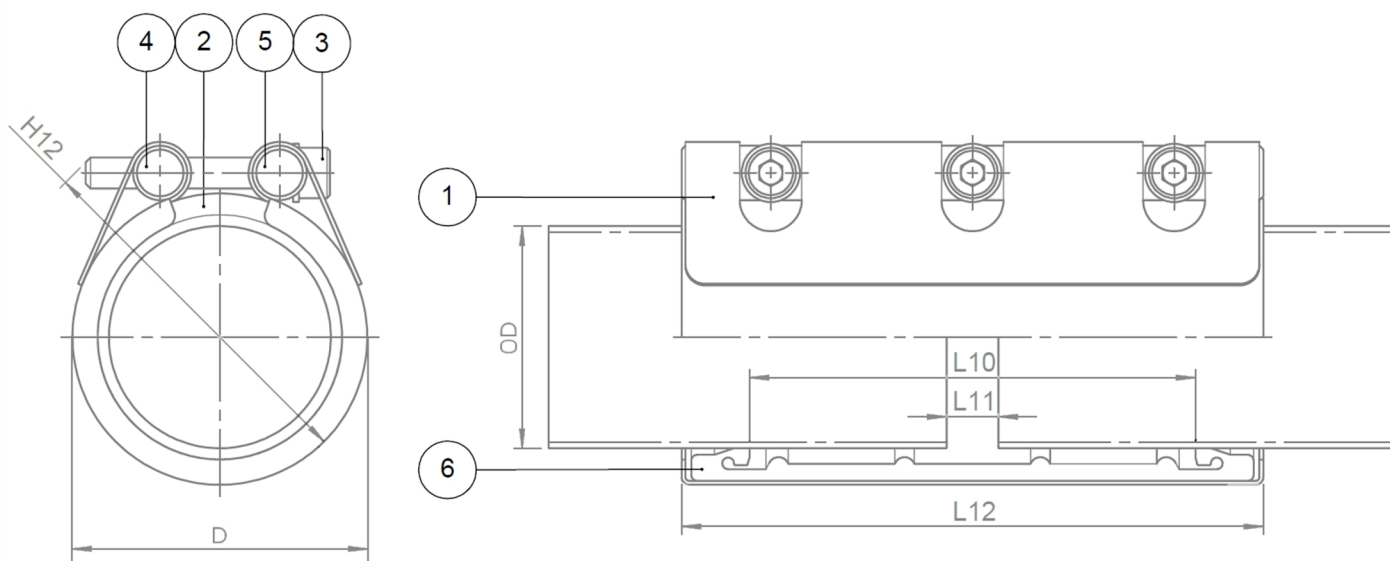
- EN 681-1
- EN 682 (DVGW)
- XP P 41-250 (ACS)
- AS/NZS 4020

Features:

- Slip type coupling long version provides a connection solution for all pipes that need to be able to expand/contract and/or support the restraint pipe. Available in DN 20-600
- Progressive sealing
- Easy installation by use of a torque wrench, limited space required for installation due to compact design
- Pressure range up to 42,7 bar (620 PSI) depending on size
- Max. angular deflection 5° for DN 15-50, 4° for DN 65-175 and 2° for DN >= 200
- Made of stainless steel 316
- Green PTFE coated bolts
- Light weight, appr. 30% in comparison with flanged connections
- 60% noise reduction compared to rigid connections



Expect ... **AVK**



Component list:

1. Body	Stainless steel 316	4. Nut	Stainless steel 316
2. Side plate	Stainless steel 316	5. Washer	Stainless steel 316
3. Bolt	Stainless steel 316 / PTFE coated	6. Sealing	NBR rubber

Components may be substituted with equivalent or higher class materials without prior notification.

Reference nos. and dimensions:

AVK ref. no.	Tolerance mm	Pipe diam. mm	Working Pressure / bar	D mm	H12 mm	L10 mm	L11 mm	L12 mm	Bolts (no x M x L)	Torque Nm	Theoretical weight / kg
745-21-0027-112	26,0 - 28,0	26,7	42	36	54	70	8	100	3XM6X45	7	0.4
745-21-0032-112	31,0 - 33,0	32,0	42	45	66	70	8	100	3XM8X50	8	0.6
745-21-0034-112	33,0 - 35,0	33,4	42	47	68	70	8	100	3XM8X50	8	0.6
745-21-0040-112	39,5 - 41,3	40,0	42	53	77	70	8	100	3XM8X55	15	0.6
745-21-0042-112	42,0 - 44,0	42,2	42	56	79	70	8	100	3XM8X55	15	0.6
745-21-0048-112	47,5 - 49,5	48,3	42	62	85	70	8	100	3XM8X55	15	0.6
745-21-0050-112	49,2 - 51,5	50,8	42	64	88	70	8	100	3XM8X55	15	0.7
745-21-0060-112	59,0 - 61,5	60,3	42	76	98	110	8	150	3XM8X55	18	1.1
745-21-0063-112	62,0 - 64,0	63,0	42	79	101	110	8	150	3XM8X55	18	1.1
745-21-0069-112	68,5 - 71,0	69,0	37	85	107	110	8	150	3XM8X55	18	1.2
745-21-0073-112	72,5 - 75,5	73,0	37	89	111	110	8	150	3XM8X55	18	1.2
745-21-0076-112	75,0 - 78,0	76,1	37	92	114	110	8	150	3XM8X55	18	1.3
745-21-0079-112	78,8 - 82,0	79,9	37	100	128	150	15	200	3XM12X70	35	2.3
745-21-0089-112	88,0 - 91,0	88,9	37	109	137	150	15	200	3XM12X70	35	2.3
745-21-0101-112	100,0 - 103,0	101,6	37	122	150	150	15	200	3XM12X70	35	2.5
745-21-0104-112	102,0 - 105,0	104,0	37	124	152	150	15	200	3XM12X70	35	2.5
745-21-0106-112	105,0 - 107,0	106,3	37	126	154	150	15	200	3XM12X70	35	2.5
745-21-0108-112	106,0 - 109,0	108,0	37	128	156	150	15	200	3XM12X70	35	2.5
745-21-0114-112	113,0 - 116,0	114,3	37	134	162	150	15	200	3XM12X70	35	2.6
745-21-0139-112	138,0 - 142,0	139,7	37	161	193	150	15	201	3XM12X80	45	3.4
745-21-0141-112	139,5 - 143,0	141,3	37	163	195	150	15	201	3XM12X80	45	3.4
745-21-0159-112	156,0 - 160,0	157,7	32	179	211	150	15	201	3XM12X80	45	3.6
745-21-0165-112	164,0 - 167,0	165,2	32	187	219	150	15	201	3XM12X80	45	3.8
745-21-0168-112	166,0 - 170,0	168,3	32	190	222	150	15	201	3XM12X80	45	3.8

The designs, materials and specifications shown are subject to change without notice due to the continuous development of our product range.

AVK REPICO® - SLIP TYPE COUPLING LONG VERSION (SL)**745/21-112****Non-tensile / Flexible, for all pipes, stainless steel 316, NBR****Reference nos. and dimensions:**

AVK ref. no.	Tolerance mm	Pipe diam. mm	Working Pressure / bar	D mm	H12 mm	L10 mm	L11 mm	L12 mm	Bolts (no x M x L)	Torque Nm	Theoretical weight / kg
745-21-0216-112	214,0 - 218,0	216,3	21	242	291	185	15	250	3XM16X120	70	9.0
745-21-0219-112	216,5 - 221,0	219,1	21	245	294	185	15	250	3XM16X120	70	9.0
745-21-0267-112	262,0 - 269,0	267,4	21	293	342	185	15	250	3XM16X120	70	9.9
745-21-0273-112	270,0 - 276,0	273,0	21	299	348	185	15	250	3XM16X120	70	10
745-21-0318-112	316,0 - 322,0	318,5	18	345	393	185	15	250	3XM16X120	70	11
745-21-0323-112	322,0 - 328,0	323,9	18	350	398	185	15	250	3XM16X120	70	11
745-21-0355-112	352,0 - 360,0	355,6	18	382	440	185	15	250	3XM16X140	70	12
745-21-0406-112	402,0 - 410,0	406,4	18	432	491	185	15	250	3XM16X140	70	13
745-21-0457-112	453,0 - 460,0	457,2	18	483	542	185	15	250	3XM16X140	70	14
745-21-0508-112	504,0 - 512,0	508,0	18	534	593	185	15	250	3XM16X140	70	15
745-21-0558-112	555,0 - 563,0	558,8	18	585	643	185	15	250	3XM16X140	70	16
745-21-0609-112	605,0 - 614,0	609,6	18	636	694	185	15	250	3XM16X140	70	17

The designs, materials and specifications shown are subject to change without notice due to the continuous development of our product range.