



## AVK REPICO® - SLIP TYPE COUPLING (S)

745/20-114

Non-tensile / Flexible, for all pipes, stainless steel 316, FKM

AVK's Repico® product program consists of stainless steel pipe couplings and repair couplings for pipe diameters from DN 15 up to DN 2000. The Repico® range offers a quick and simple connection solution for all pipes with possibility of angular deflection and easy handling due to the compact and light weight design.

### Product description:

Repico® S - Slip type coupling (non-tensile / flexible) to connect all pipes. For chemicals -30° C up to +250° C

### Test/Approvals:

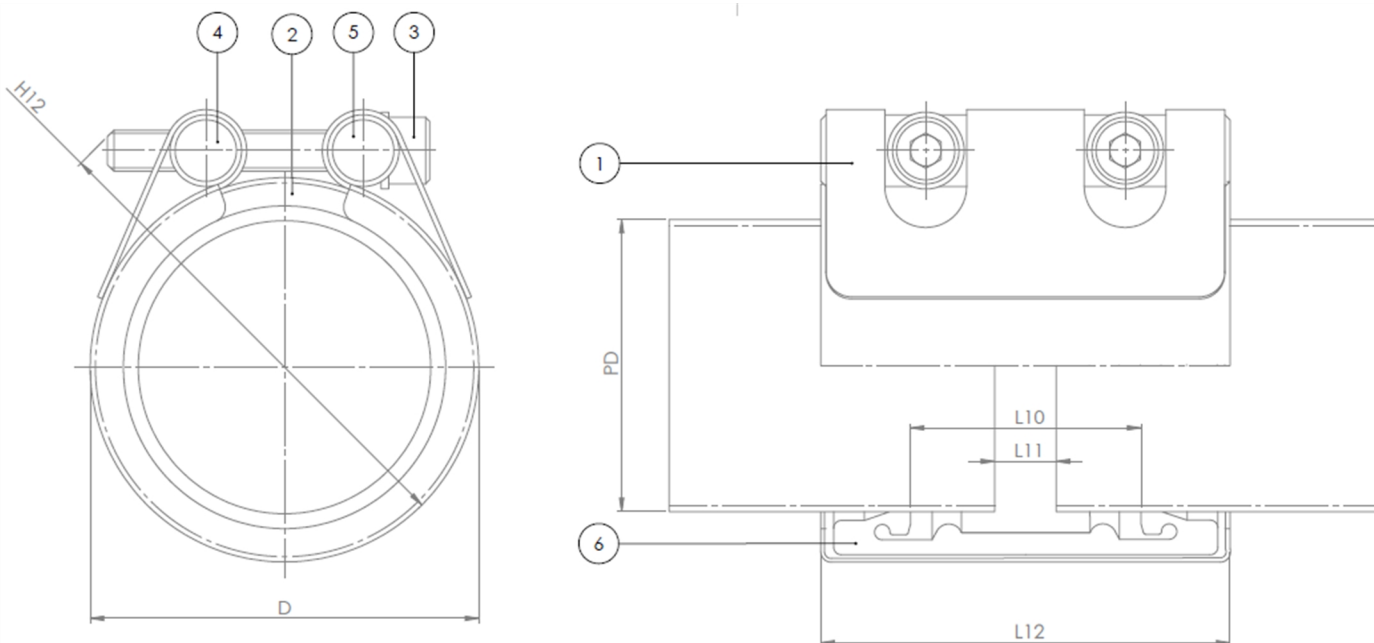
- Rina (pending approval)
- LR (pending approval)
- DNV-GL (pending approval)
- ABS (pending approval)
- BV (pending approval)

### Features:

- Slip type coupling provides a connection solution for all pipes that need to be able to expand/contract and/or support the restraint pipe. Available in DN 15-600
- Progressive sealing
- Easy installation by use of a torque wrench, limited space required for installation due to compact design
- Pressure range up to 42,7 bar (620 PSI) depending on size
- Max. angular deflection 5° for DN 15-50, 4° for DN 65-175 and 2° for DN >= 200
- Made of stainless steel 316
- Green PTFE coated bolts
- Light weight, appr. 30% in comparison with flanged connections
- 60% noise reduction compared to rigid connections



Expect ... **AVR**



**Component list:**

1. Body	Stainless steel 316	4. Nut	Stainless steel 316
2. Side plate	Stainless steel 316	5. Washer	Stainless steel 316
3. Bolt	Stainless steel 316 / PTFE coated	6. Sealing	Viton

Components may be substituted with equivalent or higher class materials without prior notification.

**Reference nos. and dimensions:**

AVK ref. no.	Tolerance mm	Pipe diam. mm	Working Pressure / bar	D mm	H12 mm	L10 mm	L11 mm	L12 mm	Bolts (no x M x L)	Torque Nm	Theoretical weight / kg
745-20-0020-114	19,5 - 20,5	20,0	42	29	48	28	8	60	2XM6X45	7	0.2
745-20-0021-114	21,0 - 22,0	21,3	42	31	49	28	8	60	2XM6X45	7	0.2
745-20-0025-114	24,0 - 26,0	25,0	42	38	57	28	8	60	2XM8X45	8	0.3
745-20-0027-114	26,0 - 28,0	26,7	42	40	58	28	8	60	2XM8X45	8	0.3
745-20-0028-114	26,4 - 29,0	28,2	42	42	62	28	8	60	2XM8X50	8	0.3
745-20-0030-114	29,0 - 31,0	30,0	42	43	64	28	8	60	2XM8X50	8	0.3
745-20-0032-114	31,0 - 33,0	32,0	42	45	66	28	8	60	2XM8X50	8	0.3
745-20-0034-114	33,0 - 35,0	33,4	42	47	68	28	8	60	2XM8X50	8	0.3
745-20-0038-114	37,0 - 39,0	38,0	42	51	75	28	8	60	2XM8X55	15	0.4
745-20-0040-114	39,5 - 41,3	40,0	42	53	77	28	8	60	2XM8X55	15	0.4
745-20-0042-114	42,0 - 44,0	42,2	42	56	79	28	8	60	2XM8X55	15	0.4
745-20-0044-114	44,0 - 46,0	44,5	42	58	81	28	8	60	2XM8X55	15	0.4
745-20-0048-114	47,5 - 49,5	48,3	42	62	85	28	8	60	2XM8X55	15	0.4
745-20-0050-114	49,2 - 51,5	50,8	42	64	88	28	8	60	2XM8X55	15	0.4
745-20-0054-114	53,0 - 55,0	54,0	42	70	92	44	8	80	2XM8X55	18	0.6
745-20-0057-114	56,0 - 58,0	57,0	42	73	95	44	8	80	2XM8X55	18	0.6
745-20-0060-114	59,0 - 61,5	60,3	42	76	98	44	8	80	2XM8X55	18	0.6
745-20-0063-114	62,0 - 64,0	63,0	42	79	101	44	8	80	2XM8X55	18	0.6
745-20-0066-114	65,4 - 68,3	66,7	37	83	105	44	8	80	2XM8X55	18	0.6
745-20-0069-114	68,5 - 71,0	69,0	37	85	107	44	8	80	2XM8X55	18	0.7
745-20-0073-114	72,5 - 75,5	73,0	37	89	111	44	8	80	2XM8X55	18	0.7
745-20-0076-114	75,0 - 78,0	76,1	37	92	114	44	8	80	2XM8X55	18	0.7
745-20-0079-114	78,8 - 82,0	79,9	37	100	128	59	15	110	2XM12X70	35	1.3
745-20-0084-114	82,5 - 85,5	84,0	37	104	132	59	15	110	2XM12X70	35	1.3

The designs, materials and specifications shown are subject to change without notice due to the continuous development of our product range.

**AVK REPICO® - SLIP TYPE COUPLING (S)****745/20-114****Non-tensile / Flexible, for all pipes, stainless steel 316, FKM****Reference nos. and dimensions:**

AVK ref. no.	Tolerance mm	Pipe diam. mm	Working Pressure / bar	D mm	H12 mm	L10 mm	L11 mm	L12 mm	Bolts (no x M x L)	Torque Nm	Theoretical weight / kg
745-20-0089-114	88,0 - 91,0	88,9	37	109	137	59	15	110	2XM12X70	35	1.3
745-20-0101-114	100,0 - 103,0	101,6	37	122	150	59	15	110	2XM12X70	35	1.4
745-20-0104-114	102,0 - 105,0	104,0	37	124	152	59	15	110	2XM12X70	35	1.4
745-20-0106-114	105,0 - 107,0	106,3	37	126	154	59	15	110	2XM12X70	35	1.4
745-20-0108-114	106,0 - 109,0	108,0	37	128	156	59	15	110	2XM12X70	35	1.4
745-20-0114-114	113,0 - 116,0	114,3	37	134	162	59	15	110	2XM12X70	35	1.5
745-20-0127-114	125,0 - 129,0	127,0	37	149	181	59	15	111	2XM12X80	45	1.8
745-20-0129-114	127,5 - 130,0	129,0	37	151	183	59	15	111	2XM12X80	45	1.8
745-20-0133-114	131,0 - 135,0	131,7	37	153	185	59	15	111	2XM12X80	45	1.8
745-20-0139-114	138,0 - 142,0	139,7	37	161	193	59	15	111	2XM12X80	45	1.9
745-20-0141-114	139,5 - 143,0	141,3	37	163	195	59	15	111	2XM12X80	45	1.9
745-20-0154-114	151,5 - 155,0	154,0	32	176	208	59	15	111	2XM12X80	45	2.0
745-20-0159-114	156,0 - 160,0	157,7	32	179	211	59	15	111	2XM12X80	45	2.0
745-20-0165-114	164,0 - 167,0	165,2	32	187	219	59	15	111	2XM12X80	45	2.1
745-20-0168-114	166,0 - 170,0	168,3	32	190	222	59	15	111	2XM12X80	45	2.1
745-20-0180-114	178,0 - 182,0	180,0	26	202	234	59	15	111	2XM12X80	45	2.2
745-20-0200-114	198,0 - 203,0	200,0	21	226	265	89	15	150	2XM14X100	70	4.2
745-20-0204-114	202,0 - 206,0	204,0	21	230	269	89	15	150	2XM14X100	70	4.2
745-20-0216-114	214,0 - 218,0	216,3	21	242	281	89	15	150	2XM14X100	70	4.4
745-20-0219-114	216,5 - 221,0	219,1	21	245	284	89	15	150	2XM14X100	70	4.4
745-20-0254-114	251,0 - 257,0	254,0	21	280	319	89	15	150	2XM14X100	70	4.8
745-20-0267-114	262,0 - 269,0	267,4	21	293	332	89	15	150	2XM14X100	70	5.0
745-20-0273-114	270,0 - 276,0	273,0	21	299	338	89	15	150	2XM14X100	70	5.0
745-20-0304-114	301,5 - 308,0	304,0	18	330	369	89	15	150	2XM14X100	70	5.4
745-20-0318-114	316,0 - 322,0	318,5	18	345	383	89	15	150	2XM14X100	70	5.5
745-20-0323-114	322,0 - 328,0	323,9	18	350	388	89	15	150	2XM14X100	70	5.6
745-20-0355-114	352,0 - 360,0	355,6	18	382	420	89	15	150	2XM14X100	70	6.0
745-20-0406-114	402,0 - 410,0	406,4	16	432	471	89	15	150	2XM14X100	70	6.5
745-20-0457-114	453,0 - 460,0	457,2	16	483	522	89	15	150	2XM14X100	70	7.1
745-20-0508-114	504,0 - 512,0	508,0	13	534	573	89	15	150	2XM14X100	70	7.7
745-20-0558-114	555,0 - 563,0	558,8	12	585	623	89	15	150	2XM14X100	70	8.3
745-20-0609-114	605,0 - 614,0	609,6	11	636	674	89	15	150	2XM14X100	70	8.8