



AVK REPICO® - SLIP TYPE COUPLING (S)

745/20-113

Non-tensile / Flexible, for all pipes, stainless steel 316, SILICONE

AVK's Repico® product program consists of stainless steel pipe couplings and repair couplings for pipe diameters from DN 15 up to DN 2000. The Repico® range offers a quick and simple connection solution for all pipes with possibility of angular deflection and easy handling due to the compact and light weight design.

Product description:

Repico® S - Slip type coupling (non-tensile / flexible) to connect all pipes. For water and neutral liquids -70° C up to +200° C

Test/Approvals:

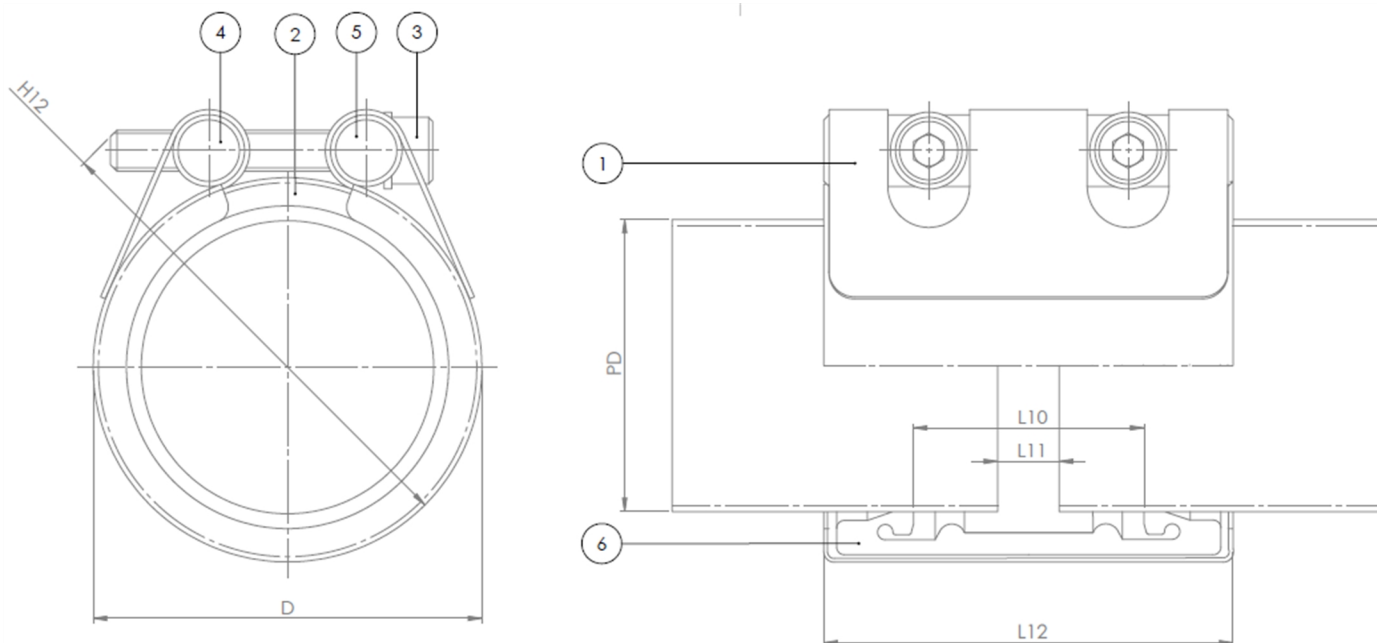
- Rina (pending approval)
- LR (pending approval)
- DNV-GL (pending approval)
- ABS (pending approval)
- BV (pending approval)

Features:

- Slip type coupling provides a connection solution for all pipes that need to be able to expand/contract and/or support the restraint pipe. Available in DN 15-600
- Progressive sealing
- Easy installation by use of a torque wrench, limited space required for installation due to compact design
- Pressure range up to 42,7 bar (620 PSI) depending on size
- Max. angular deflection 5° for DN 15-50, 4° for DN 65-175 and 2° for DN >= 200
- Made of stainless steel 316
- Green PTFE coated bolts
- Light weight, appr. 30% in comparison with flanged connections
- 60% noise reduction compared to rigid connections



Expect ... **AVK**



Component list:

1. Body	Stainless steel 316	4. Nut	Stainless steel 316
2. Side plate	Stainless steel 316	5. Washer	Stainless steel 316
3. Bolt	Stainless steel 316 / PTFE coated	6. Sealing	Silicone Rubber

Components may be substituted with equivalent or higher class materials without prior notification.

Reference nos. and dimensions:

AVK ref. no.	Tolerance mm	Pipe diam. mm	Working Pressure / bar	D mm	H12 mm	L10 mm	L11 mm	L12 mm	Bolts (no x M x L)	Torque Nm	Theoretical weight / kg
745-20-0020-113	19,5 - 20,5	20,0	42	29	48	28	8	60	2XM6X45	7	0.2
745-20-0021-113	21,0 - 22,0	21,3	42	31	49	28	8	60	2XM6X45	7	0.2
745-20-0025-113	24,0 - 26,0	25,0	42	38	57	28	8	60	2XM8X45	8	0.3
745-20-0027-113	26,0 - 28,0	26,7	42	40	58	28	8	60	2XM8X45	8	0.3
745-20-0028-113	26,4 - 29,0	28,2	42	42	62	28	8	60	2XM8X50	8	0.3
745-20-0030-113	29,0 - 31,0	30,0	42	43	64	28	8	60	2XM8X50	8	0.3
745-20-0032-113	31,0 - 33,0	32,0	42	45	66	28	8	60	2XM8X50	8	0.3
745-20-0034-113	33,0 - 35,0	33,4	42	47	68	28	8	60	2XM8X50	8	0.3
745-20-0038-113	37,0 - 39,0	38,0	42	51	75	28	8	60	2XM8X55	15	0.4
745-20-0040-113	39,5 - 41,3	40,0	42	53	77	28	8	60	2XM8X55	15	0.4
745-20-0042-113	42,0 - 44,0	42,2	42	56	79	28	8	60	2XM8X55	15	0.4
745-20-0044-113	44,0 - 46,0	44,5	42	58	81	28	8	60	2XM8X55	15	0.4
745-20-0048-113	47,5 - 49,5	48,3	42	62	85	28	8	60	2XM8X55	15	0.4
745-20-0050-113	49,2 - 51,5	50,8	42	64	88	28	8	60	2XM8X55	15	0.4
745-20-0054-113	53,0 - 55,0	54,0	42	70	92	44	8	80	2XM8X55	18	0.6
745-20-0057-113	56,0 - 58,0	57,0	42	73	95	44	8	80	2XM8X55	18	0.6
745-20-0060-113	59,0 - 61,5	60,3	42	76	98	44	8	80	2XM8X55	18	0.6
745-20-0063-113	62,0 - 64,0	63,0	42	79	101	44	8	80	2XM8X55	18	0.6
745-20-0066-113	65,4 - 68,3	66,7	37	83	105	44	8	80	2XM8X55	18	0.6
745-20-0069-113	68,5 - 71,0	69,0	37	85	107	44	8	80	2XM8X55	18	0.7
745-20-0073-113	72,5 - 75,5	73,0	37	89	111	44	8	80	2XM8X55	18	0.7
745-20-0076-113	75,0 - 78,0	76,1	37	92	114	44	8	80	2XM8X55	18	0.7
745-20-0079-113	78,8 - 82,0	79,9	37	100	128	59	15	110	2XM12X70	35	1.3
745-20-0084-113	82,5 - 85,5	84,0	37	104	132	59	15	110	2XM12X70	35	1.3

The designs, materials and specifications shown are subject to change without notice due to the continuous development of our product range.

AVK REPICO® - SLIP TYPE COUPLING (S)**745/20-113****Non-tensile / Flexible, for all pipes, stainless steel 316, SILICONE****Reference nos. and dimensions:**

AVK ref. no.	Tolerance mm	Pipe diam. mm	Working Pressure / bar	D mm	H12 mm	L10 mm	L11 mm	L12 mm	Bolts (no x M x L)	Torque Nm	Theoretical weight / kg
745-20-0089-113	88,0 - 91,0	88,9	37	109	137	59	15	110	2XM12X70	35	1.3
745-20-0101-113	100,0 - 103,0	101,6	37	122	150	59	15	110	2XM12X70	35	1.4
745-20-0104-113	102,0 - 105,0	104,0	37	124	152	59	15	110	2XM12X70	35	1.4
745-20-0106-113	105,0 - 107,0	106,3	37	126	154	59	15	110	2XM12X70	35	1.4
745-20-0108-113	106,0 - 109,0	108,0	37	128	156	59	15	110	2XM12X70	35	1.4
745-20-0114-113	113,0 - 116,0	114,3	37	134	162	59	15	110	2XM12X70	35	1.5
745-20-0127-113	125,0 - 129,0	127,0	37	149	181	59	15	111	2XM12X80	45	1.8
745-20-0129-113	127,5 - 130,0	129,0	37	151	183	59	15	111	2XM12X80	45	1.8
745-20-0133-113	131,0 - 135,0	131,7	37	153	185	59	15	111	2XM12X80	45	1.8
745-20-0139-113	138,0 - 142,0	139,7	37	161	193	59	15	111	2XM12X80	45	1.9
745-20-0141-113	139,5 - 143,0	141,3	37	163	195	59	15	111	2XM12X80	45	1.9
745-20-0154-113	151,5 - 155,0	154,0	32	176	208	59	15	111	2XM12X80	45	2.0
745-20-0159-113	156,0 - 160,0	157,7	32	179	211	59	15	111	2XM12X80	45	2.0
745-20-0165-113	164,0 - 167,0	165,2	32	187	219	59	15	111	2XM12X80	45	2.1
745-20-0168-113	166,0 - 170,0	168,3	32	190	222	59	15	111	2XM12X80	45	2.1
745-20-0180-113	178,0 - 182,0	180,0	26	202	234	59	15	111	2XM12X80	45	2.2
745-20-0200-113	198,0 - 203,0	200,0	21	226	265	89	15	150	2XM14X100	70	4.2
745-20-0204-113	202,0 - 206,0	204,0	21	230	269	89	15	150	2XM14X100	70	4.2
745-20-0216-113	214,0 - 218,0	216,3	21	242	281	89	15	150	2XM14X100	70	4.4
745-20-0219-113	216,5 - 221,0	219,1	21	245	284	89	15	150	2XM14X100	70	4.4
745-20-0254-113	251,0 - 257,0	254,0	21	280	319	89	15	150	2XM14X100	70	4.8
745-20-0267-113	262,0 - 269,0	267,4	21	293	332	89	15	150	2XM14X100	70	5.0
745-20-0273-113	270,0 - 276,0	273,0	21	299	338	89	15	150	2XM14X100	70	5.0
745-20-0304-113	301,5 - 308,0	304,0	18	330	369	89	15	150	2XM14X100	70	5.4
745-20-0318-113	316,0 - 322,0	318,5	18	345	383	89	15	150	2XM14X100	70	5.5
745-20-0323-113	322,0 - 328,0	323,9	18	350	388	89	15	150	2XM14X100	70	5.6
745-20-0355-113	352,0 - 360,0	355,6	18	382	420	89	15	150	2XM14X100	70	6.0
745-20-0406-113	402,0 - 410,0	406,4	16	432	471	89	15	150	2XM14X100	70	6.5
745-20-0457-113	453,0 - 460,0	457,2	16	483	522	89	15	150	2XM14X100	70	7.1
745-20-0508-113	504,0 - 512,0	508,0	13	534	573	89	15	150	2XM14X100	70	7.7
745-20-0558-113	555,0 - 563,0	558,8	12	585	623	89	15	150	2XM14X100	70	8.3
745-20-0609-113	605,0 - 614,0	609,6	11	636	674	89	15	150	2XM14X100	70	8.8

The designs, materials and specifications shown are subject to change without notice due to the continuous development of our product range.