

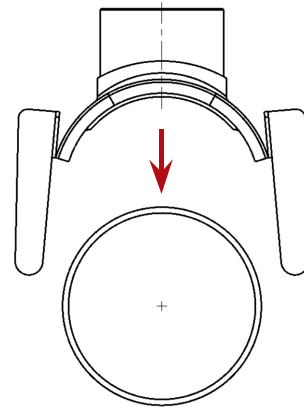
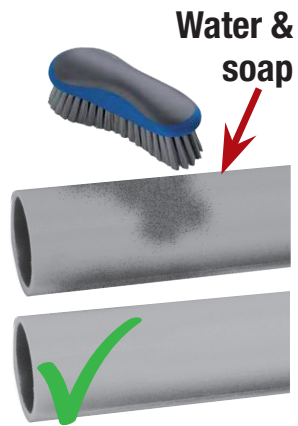


AVK STAINLESS STEEL TAPPING SADDLE SERIES 728 FOR STEEL, CAST IRON AND ASBESTOS CEMENT PIPES, TYPE FSA

Mounting instruction

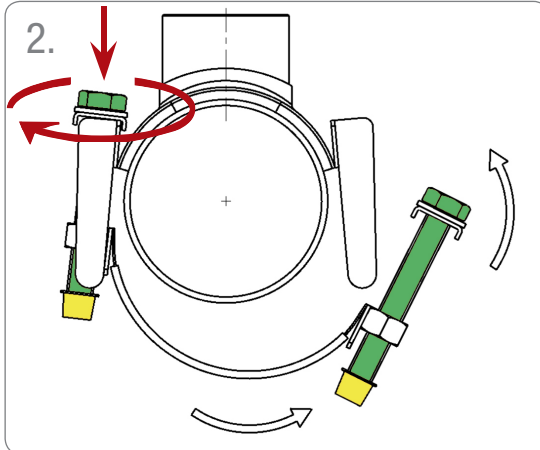
Note: suitable for working pressure 300 mBAR and max. test pressure 1 BAR

1.

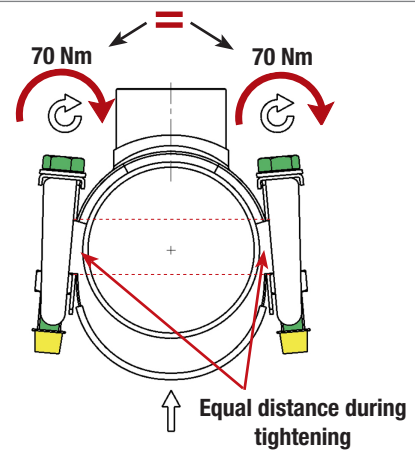


Remove tube lining asphalt bitumen and 1st layer PE-covering

2.



3.



4.



5.

